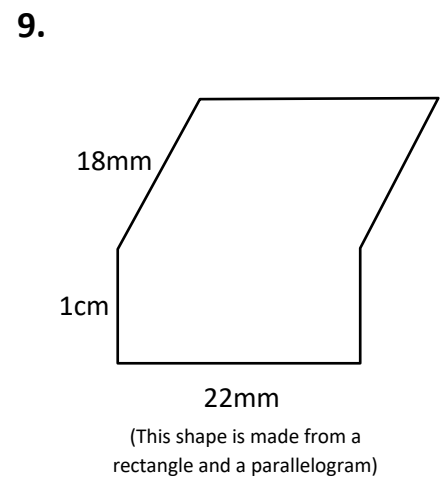
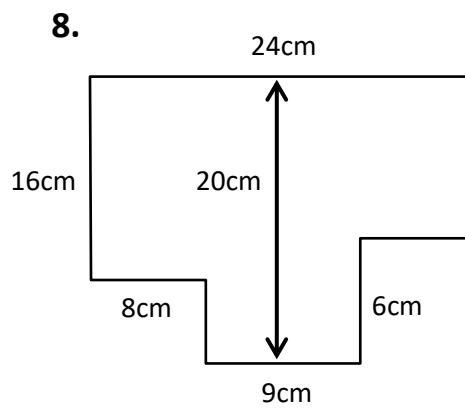
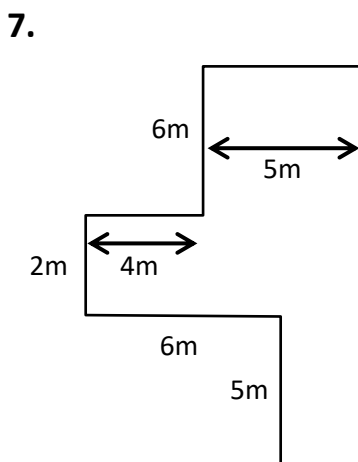
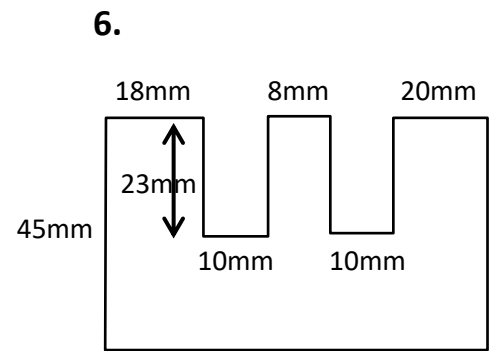
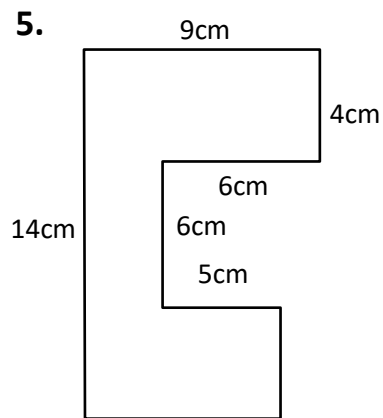
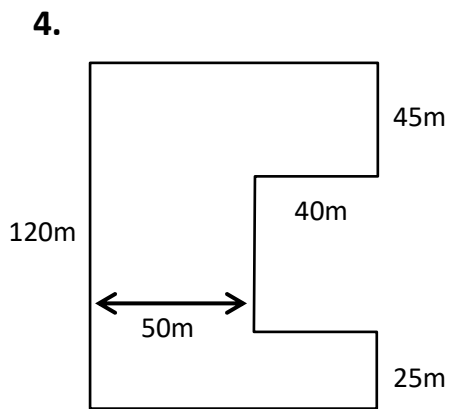
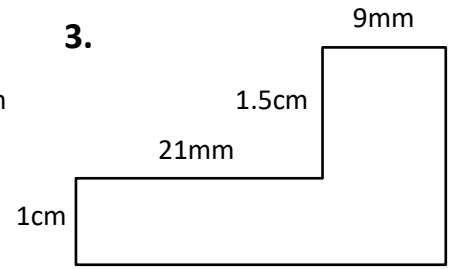
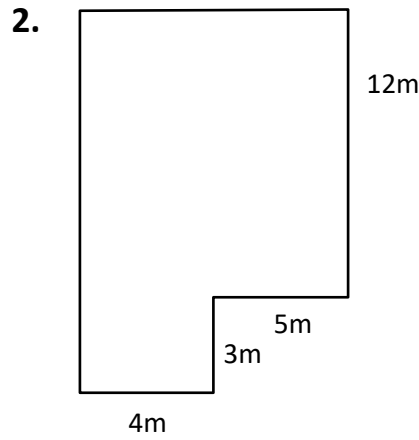
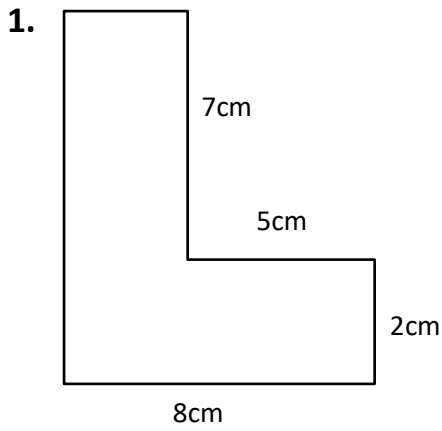


Perimeter of compound shapes

Find the perimeter of each of these shapes. Write in missing lengths that you calculate.



NB. Diagrams not drawn to scale